

GREY WHALE



GW600F

loudspeaker system technical data sheet



SPECIFICATIONS:

Driver	6" (152mm) LF 2" (51mm) HF
Cone material	injected polypropylene (LF) soft dome neodymium (HF)
Surround material	rubber LF
Voice coil size	1" (25mm) LF 0.5" (13mm) HF
Voice coil	copper coil, polyester insulation, aluminum former
Speaker basket	stamped steel
Sensitivity	89dB @ 1 watt, 1 meter
Max power	40W
Nominal dispersion	120°
Frequency range	50Hz / 20kHz \pm 10dB
Impedance	8 Ω (70V: 1.9, 3.8, 7.5, 15, 30W) (100V: 3.8, 7.5, 15, 30W)
Minimum impedance	6.9 Ω @ 250Hz
Termination type	Captive screw terminal (phoenix)
Max wire gauge	12 AWG

KEY FEATURES:

- Blind mountable
- Self-contained speaker system
- Tuned port enclosure
- 70V multi-tap or 8 Ω direct operation

KEY APPLICATIONS:

Engineered for general background to foreground music and paging applications, the Grey Whale GW600F is ideal for:

- school classroom and hallways
- retail stores
- restaurants
- airports
- conference centers
- boardrooms

DESCRIPTION:

This self-contained speaker enclosure houses a coaxial 6" poly injected driver combined with a 2" soft dome tweeter to provide a full, smooth frequency response. The GW600F has a permanent mounted back-can. The GW600F has its tuned bass port in the front of the speaker behind the grill along with the tap selector switch. This means this speaker system can be completely installed from below the ceiling grid.

PHYSICAL DIMENSIONS:

Overall diameter	10.25" (260 mm)
Depth	7.5" (190 mm) 8" (203 mm) including seismic strap
Minimum cut-out	9" (229 mm)
Net weight	7 lbs (3.2 kg)
Shipping weight	8.2 lbs (3.7 kg)

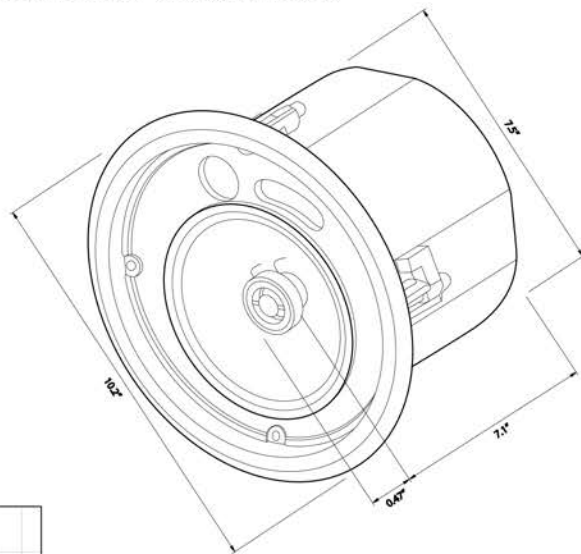
GREY WHALE



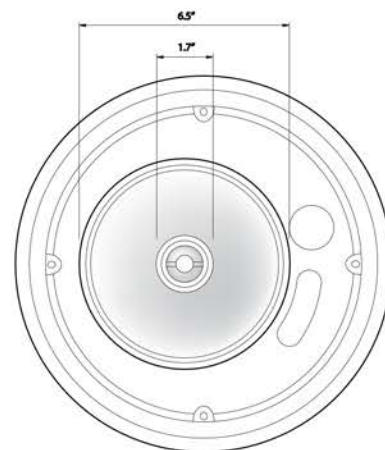
loudspeaker system technical data sheet



GW600F



SPL vs. FREQUENCY



IMPEDANCE vs. FREQUENCY

