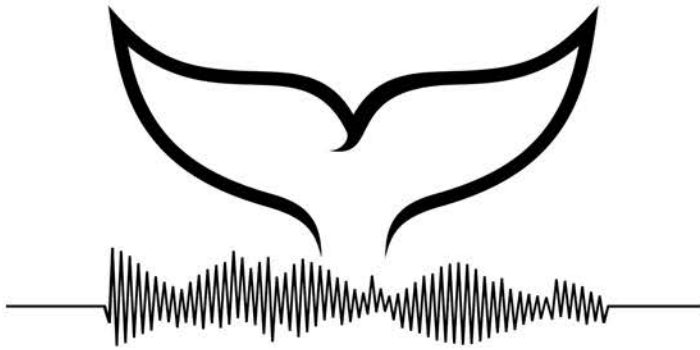


GREY WHALE



GW400WF coaxial loudspeaker system technical data sheet

SPECIFICATIONS:

Driver	4" (104 mm) LF 1.73" (44 mm) HF
Cone material	injected polypropylene (LF) soft dome neodymium (HF)
Surround material	rubber LF surround
Voice coil size	1" (25 mm) LF 0.8" (20 mm) HF
Voice coil	copper coil, polyester insulation, aluminum former
Speaker basket	plated iron (Cr3+ zinc alloy)
Sensitivity	89dB @ 1 watt, 1 meter
Max power	32W
Nominal dispersion	100°
Frequency range	90Hz / 20kHz ± 10dB
Impedance	8Ω (70V: 2, 4, 8, 16W) (25V: 0.25, 0.5, 1, 2, 4W)
Minimum impedance	7.8Ω @ 275Hz
Termination type	Captive screw terminal (phoenix)
Max wire gauge	11 AWG

KEY FEATURES:

- blind mountable
- self contained speaker system
- tuned port enclosure
- 70 volt multi-tap or 8Ω direct operation

KEY APPLICATIONS:

Engineered for general background to foreground music and paging applications, the Grey Whale Audio GW400WF is ideal for:

- schools
- retail stores
- restaurants
- airports
- health care facilities
- conference centers
- boardrooms

DESCRIPTION:

The GW400WF self contained speaker enclosure houses a coaxial 4" poly injected driver combined with a large 1 3/4" high efficiency tweeter to provide a full, smooth frequency response. The GW400WF has a permanent mounted back-can and uses threaded insert dogs for mounting. The GW400WF has its tuned bass port in the front of the speaker behind the grill along with the tap selector switch. This means that this speaker system can be completely installed from below the

PHYSICAL DIMENSIONS:

Overall diameter	8" (203 mm)
Depth	6.57" (167 mm)
Minimum cut-out	6.57" (167 mm)
Net weight	3.1 lbs (1.4 kg)
Shipping weight	4 lbs (1.8 kg)

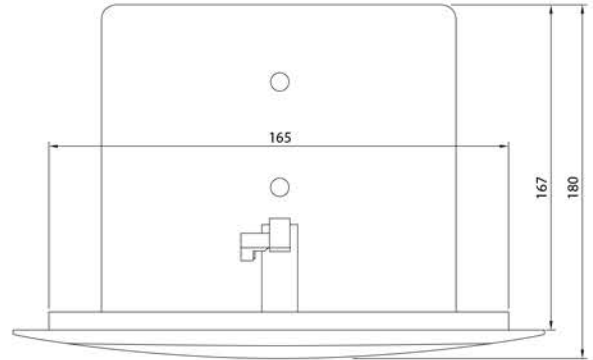
GREY WHALE



coaxial loudspeaker system technical data sheet



GW400F



SPL vs. FREQUENCY

